

D

D

C

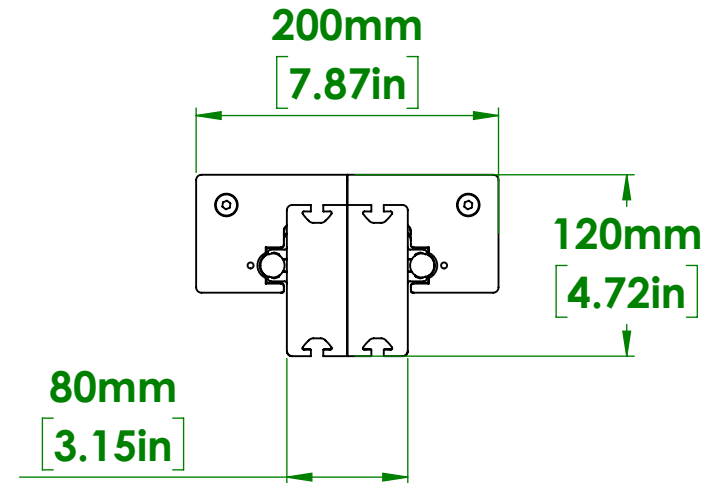
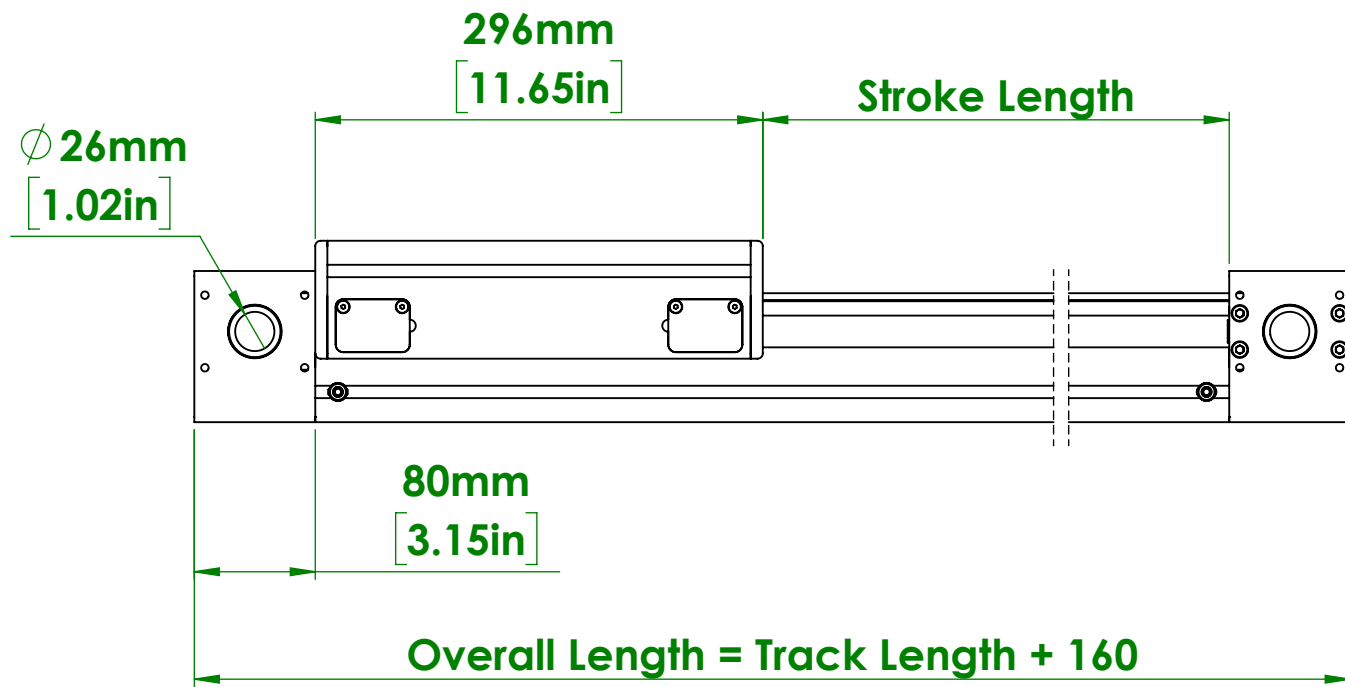
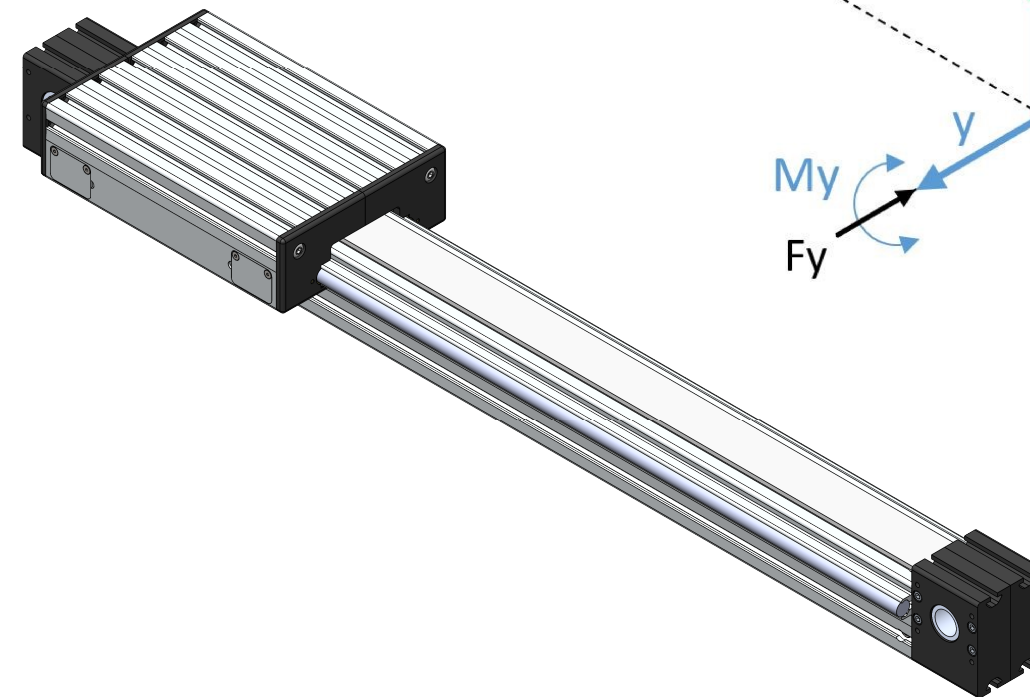
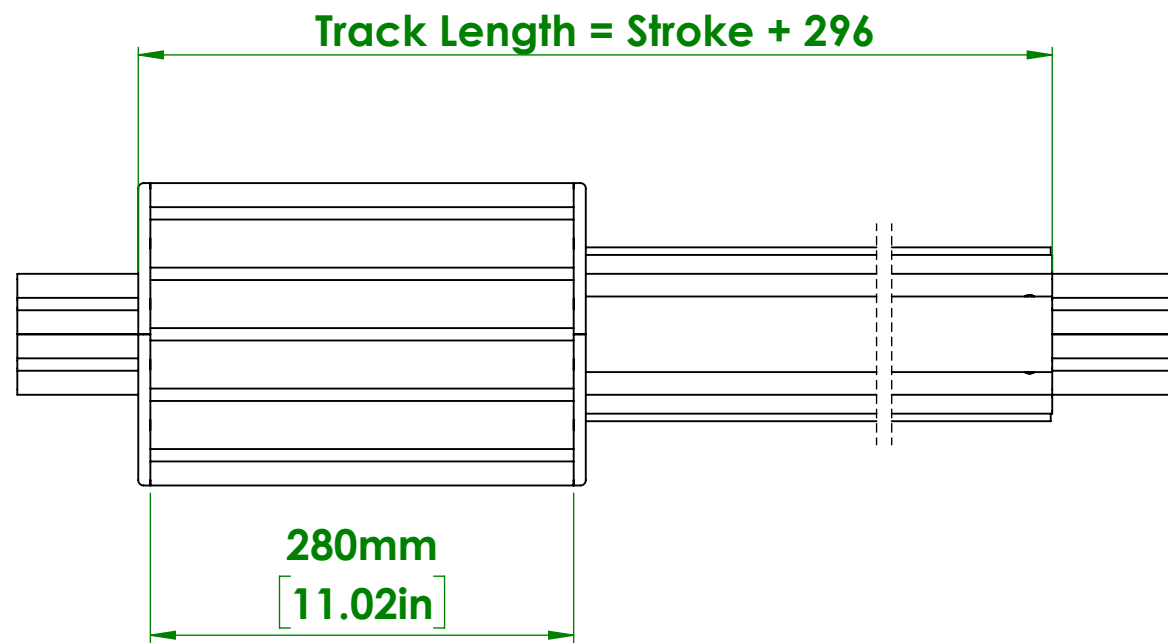
C

B

B

A

A



PROPRIETARY AND CONFIDENTIAL THE INFORMATION CONTAINED IN THIS DRAWING IS THE SOLE PROPERTY OF PALETTI USA, LLC. ANY REPRODUCTION IN PART OR AS A WHOLE WITHOUT THE WRITTEN PERMISSION OF PALETTI USA, LLC IS PROHIBITED.	FINISH: Saw Edge -A- // 0.1 A Side -B- ⊥ 0.1 B		NAME: _____ DATE: _____	
	MATERIAL: _____		DRAWN: cwysoccki DATE: 3/12/2025	
UNLESS OTHERWISE SPECIFIED: DIMENSIONS ARE IN MILLIMETERS STANDARD TOLERANCES: ANGULAR: ± 0.5 DEG ONE PLACE DECIMAL: ± 0.1 TWO PLACE DECIMAL: ± 0.05	REVISIONS			
	REV.	REASON	AUTHOR	DATE
SCALE 1:10		DWG. NO. BTRU350		
Sheet 1 of 1				